



Oras Safira

INSTALLATION AND MAINTENANCE GUIDE





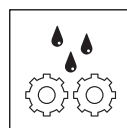
4-9



10-14



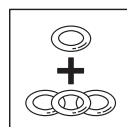
15



16-20



21

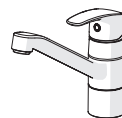
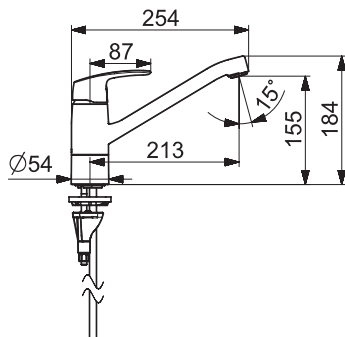
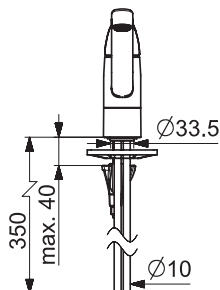


22-26



1030S

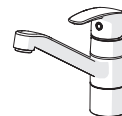
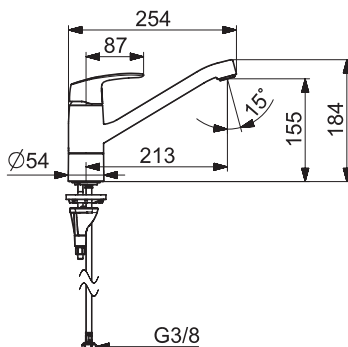
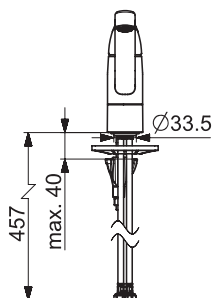
I (ISO 3822)
 EN 817
 50 - 1000 kPa
 0.27 l/s (300 kPa)
 160 kPa (0.2 l/s)
 max. +80°C



static.oras.com/1030S

1030FS , 1030FS-104 , 1030FS-105

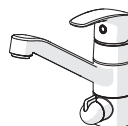
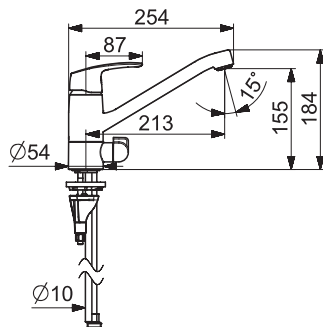
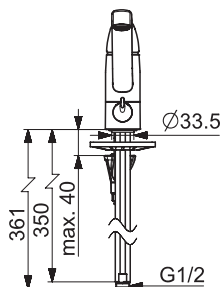
I (ISO 3822) Oras lab.
 EN 817
 50 - 1000 kPa
 0.21 l/s (300 kPa)
 270 kPa (0.2 l/s)
 max. +80°C



static.oras.com/1030FS

1035S

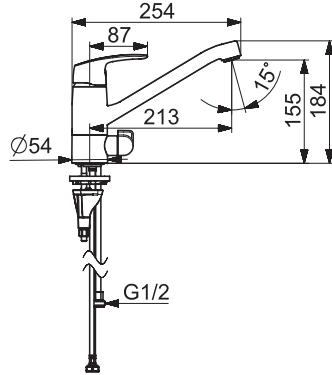
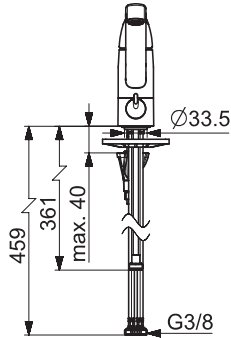
I (ISO 3822)
 EN 817
 50 - 1000 kPa
 0.27 l/s (300 kPa)
 160 kPa (0.2 l/s)
 max. +80°C



static.oras.com/1035S

1035FS , 1035FS-104 , 1035FS-105

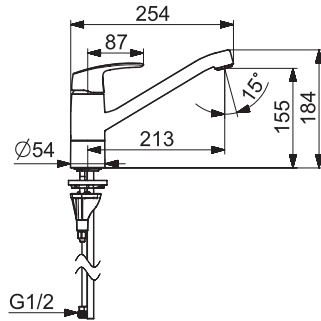
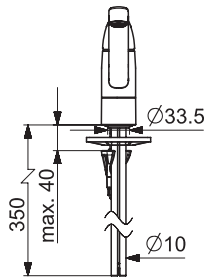
I (ISO 3822) Oras lab.
 EN 817
 50 - 1000 kPa
 0.21 l/s (300 kPa)
 270 kPa (0.2 l/s)
 max. +80°C



static.oras.com/1035FS

1022S

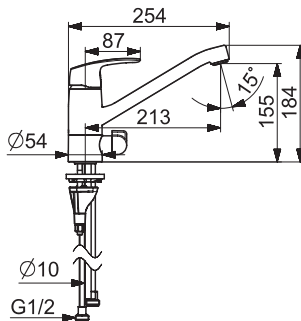
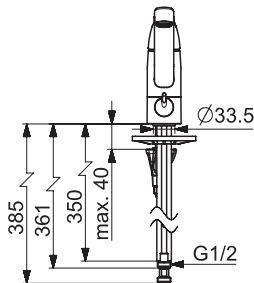
I (ISO 3822)
 EN 817
 50 - 1000 kPa
 0.17 l/s (300 kPa)
 100 kPa (0.1 l/s)
 max. +80°C



static.oras.com/1022S

1027S

I (ISO 3822)
 EN 817
 50 - 1000 kPa
 0.17 l/s (300 kPa)
 100 kPa (0.1 l/s)
 max. +80°C

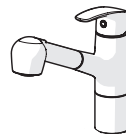
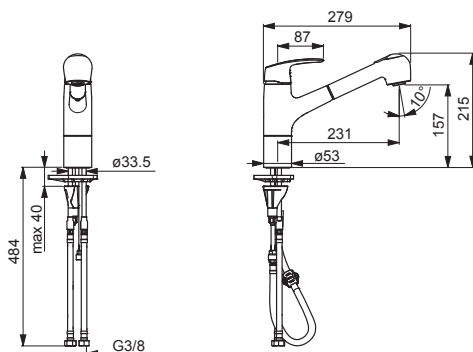


static.oras.com/1027S



1032F

I (ISO 3822)
 EN 817
 50 - 1000 kPa
 0.16 l/s (300 kPa)
 120 kPa (0.1 l/s)
 max. +80°C

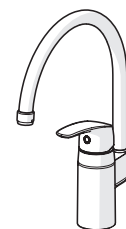
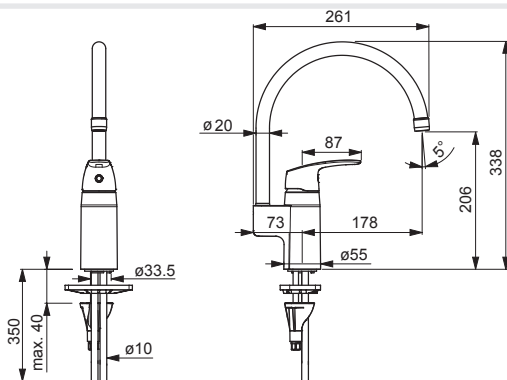


static.oras.com/1032F

1491 KIWA Sverige 1913

1038

I (ISO 3822)
 EN 817
 50 - 1000 kPa
 0.27 l/s (300 kPa)
 160 kPa (0.2 l/s)
 max. +80°C

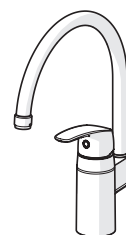
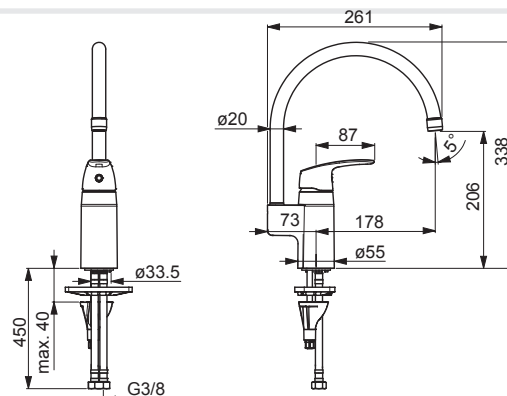


static.oras.com/1038

VTT-RTH-00090-17
 1491 KIWA Sverige 1913

1038F

I (ISO 3822)
 EN 817
 50 - 1000 kPa
 0.21 l/s (300 kPa)
 270 kPa (0.2 l/s)
 max. +80°C

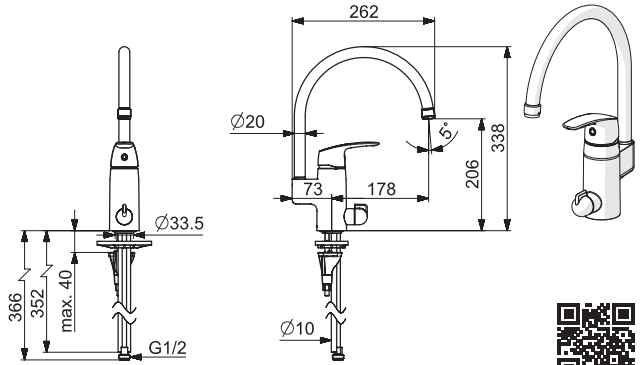


static.oras.com/1038F

1491 KIWA Sverige 1913

1039

I (ISO 3822)
EN 817
50 - 1000 kPa
0.27 l/s (300 kPa)
160 kPa (0.2 l/s)
max. +80°C



VTT-RTH-00090-17



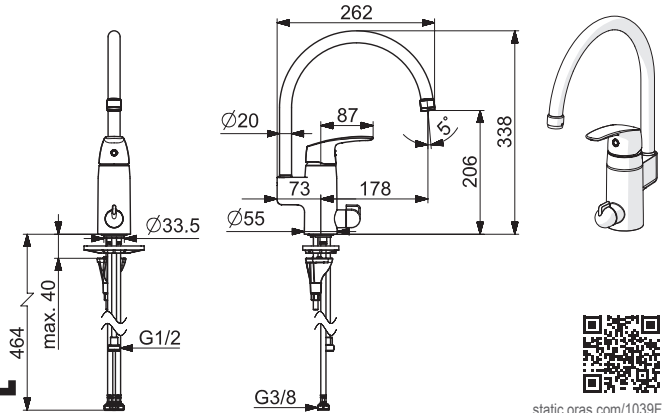
1491 KIWA Sverige 1913



static.oras.com/1039

1039F

I (ISO 3822)
EN 817
50 - 1000 kPa
0.2 l/s (300 kPa)
290 kPa (0.2 l/s)
max. +80°C



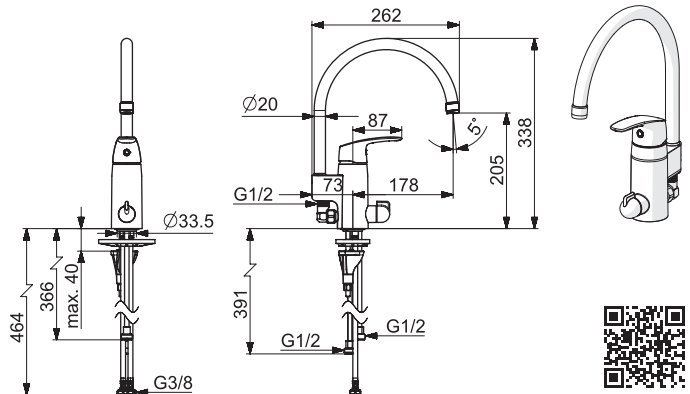
1491 KIWA Sverige 1913



static.oras.com/1039F

1057F

I (ISO 3822)
EN 817
50 - 1000 kPa
0.21 l/s (300 kPa)
280 kPa (0.2 l/s)
max. +80°C



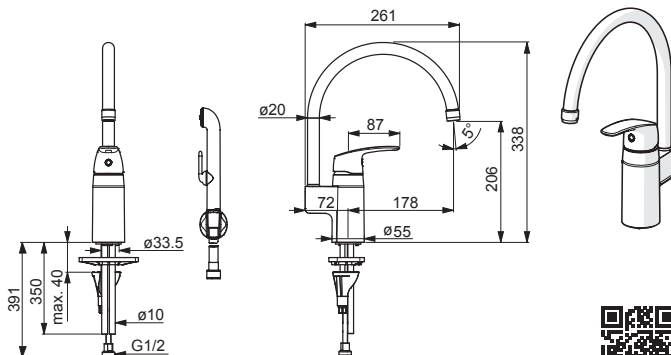
VTT-RTH-00090-17

static.oras.com/1057F



1033

I (ISO 3822)
 EN 817
 50 - 1000 kPa
 0.16 l/s (300 kPa)
 110 kPa (0.1 l/s)
 max. +80°C



static.oras.com/1033

VTT-RTH-00090-17

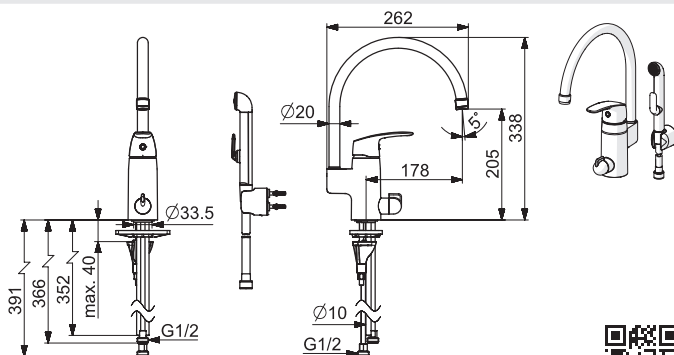


1490 KIWA Sverige 1913



1034

I (ISO 3822)
 EN 817
 50 - 1000 kPa
 0.16 l/s (300 kPa)
 115 kPa (0.1 l/s)
 max. +80°C



static.oras.com/1034

VTT-RTH-00090-17

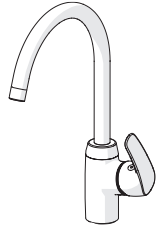
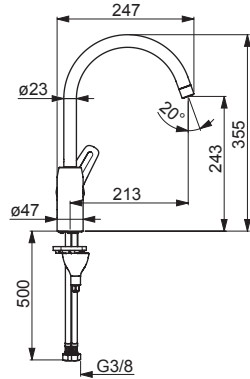
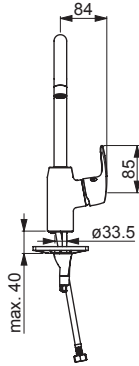


1490 KIWA Sverige 1913



1028F

I (ISO 3822)
 EN 817
 50 - 1000 kPa
 0.19 l/s (300 kPa)
 85 kPa (0.1 l/s)
 max. +80°C



static.oras.com/1028F

VTT-RTH-00090-17

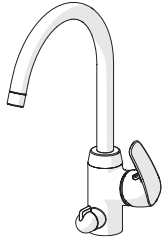
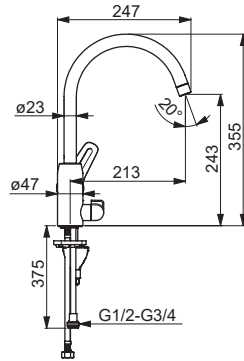
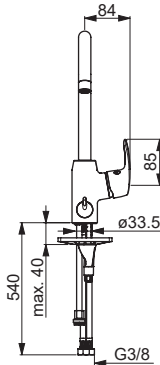


1491 KIWA Sverige 1913



1029F

I (ISO 3822)
 EN 817
 50 - 1000 kPa
 0.21 l/s (300 kPa)
 85 kPa (0.1 l/s)
 max. +80°C



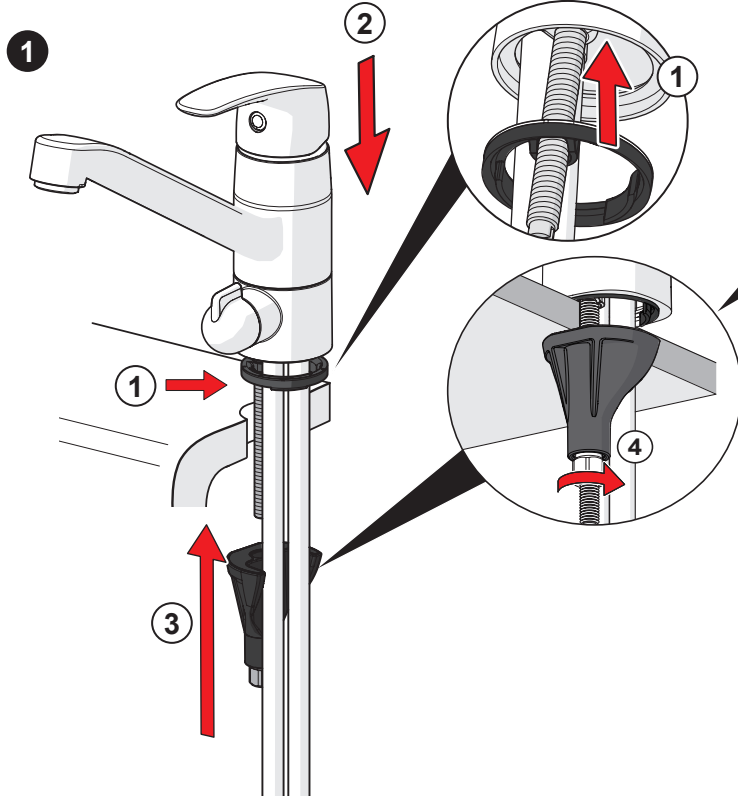
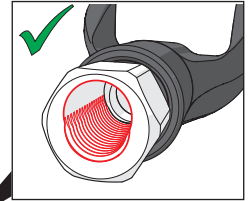
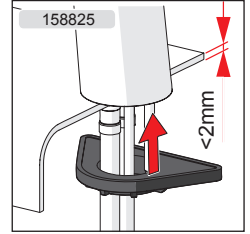
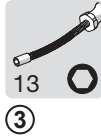
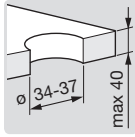
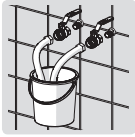
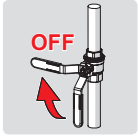
static.oras.com/1029F

VTT-RTH-00090-17



1491 KIWA Sverige 1913



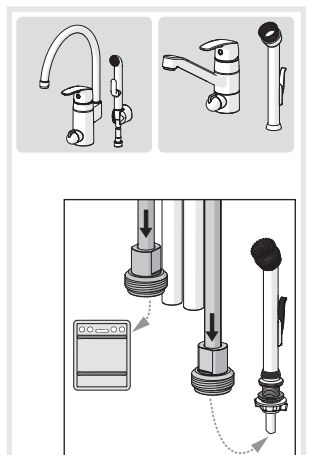
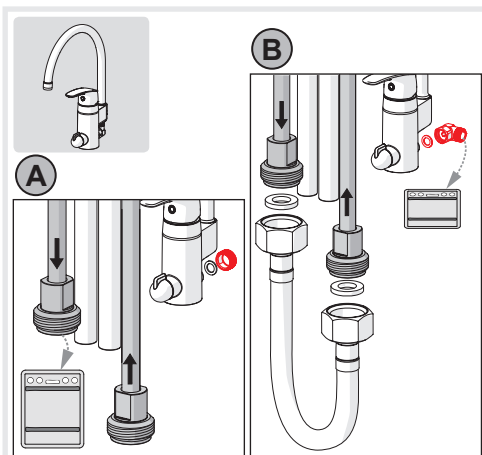
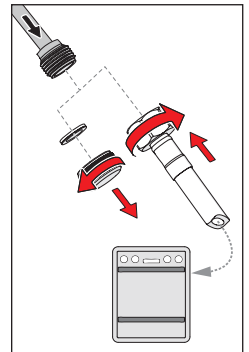
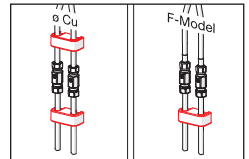
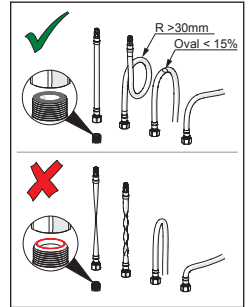
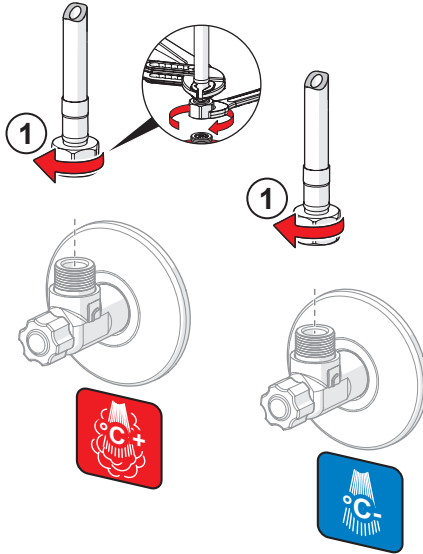


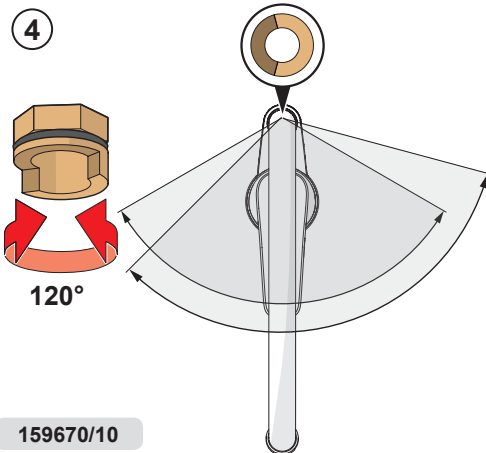
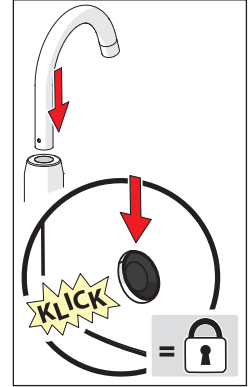
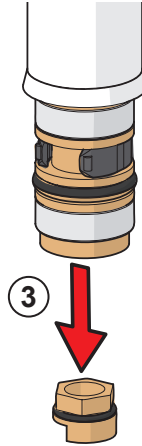
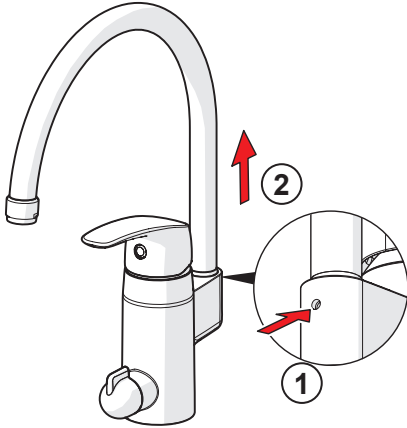


①

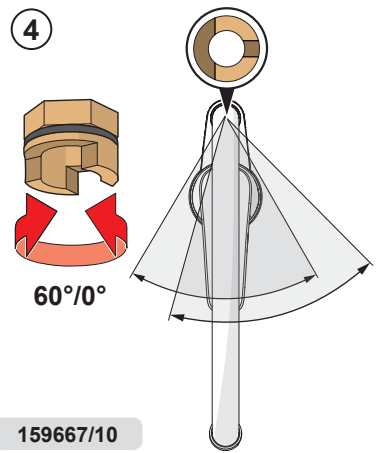
max.
1600 kPa

②

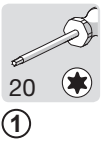
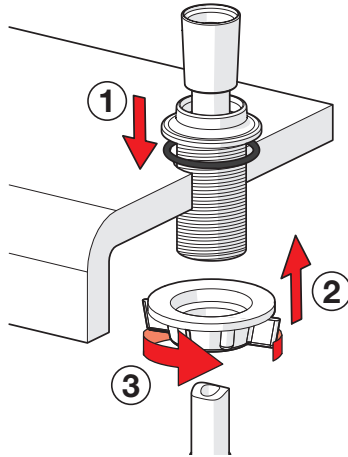
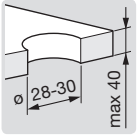




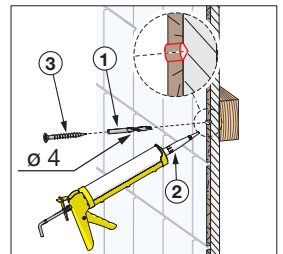
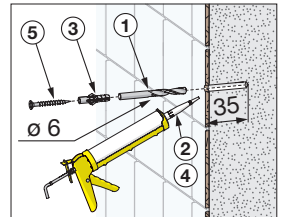
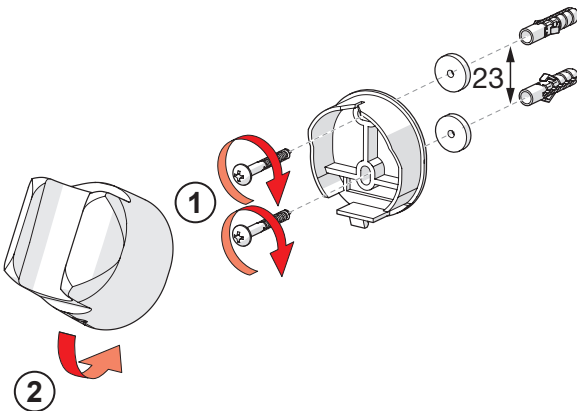
159670/10

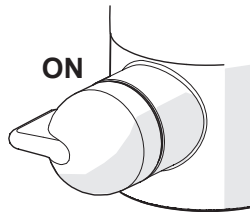
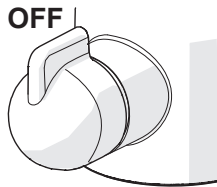
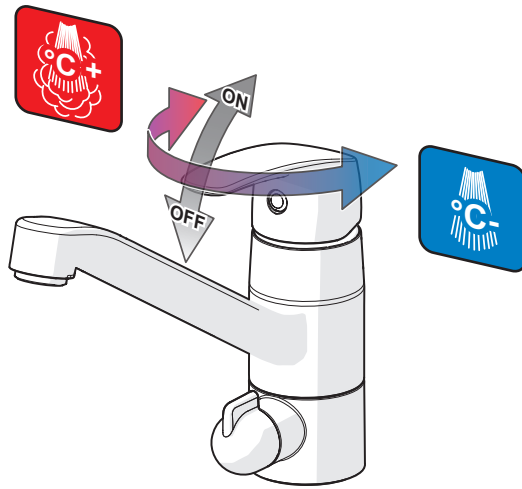


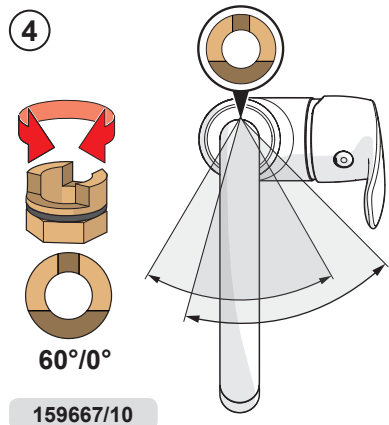
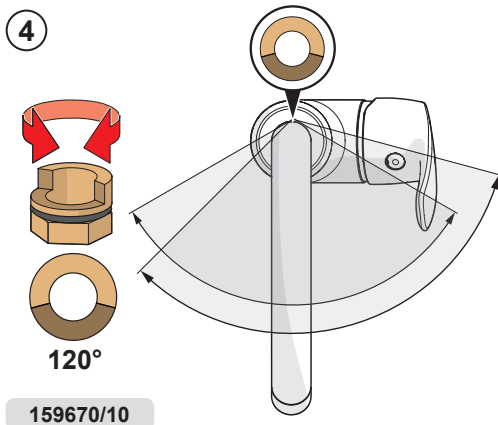
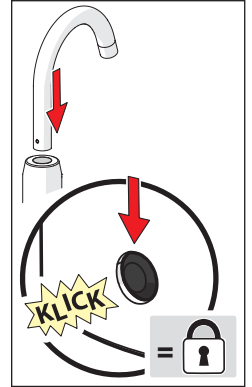
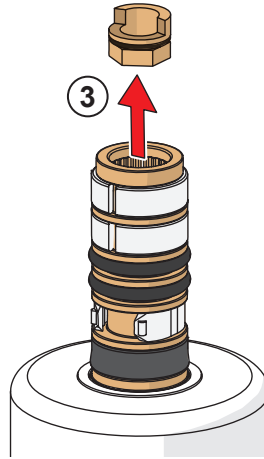
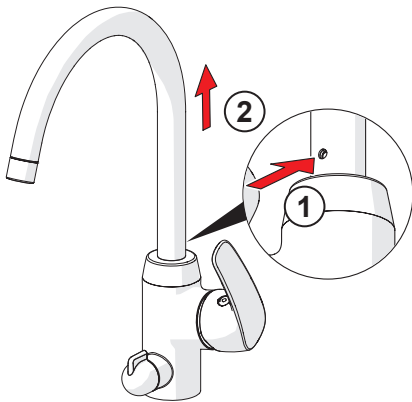
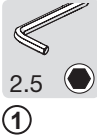
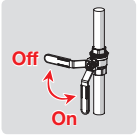
159667/10



1

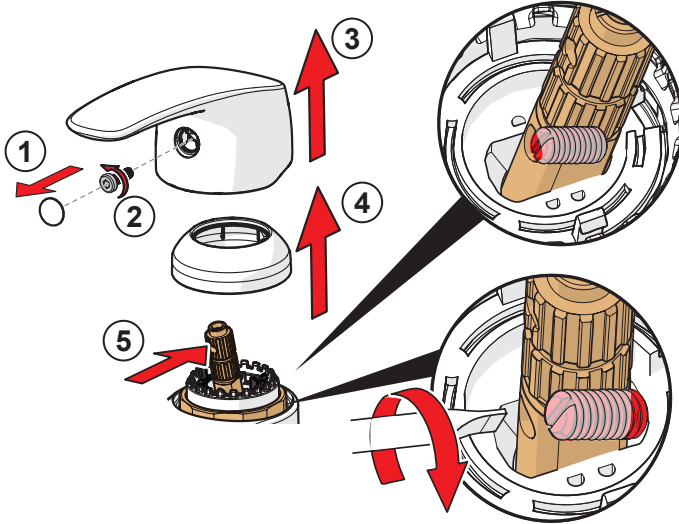
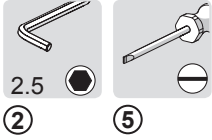


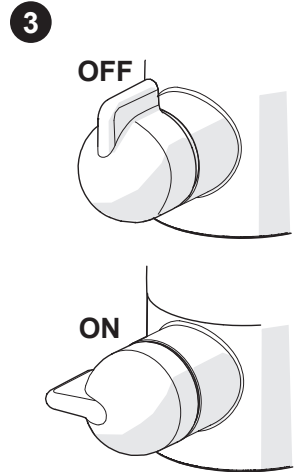
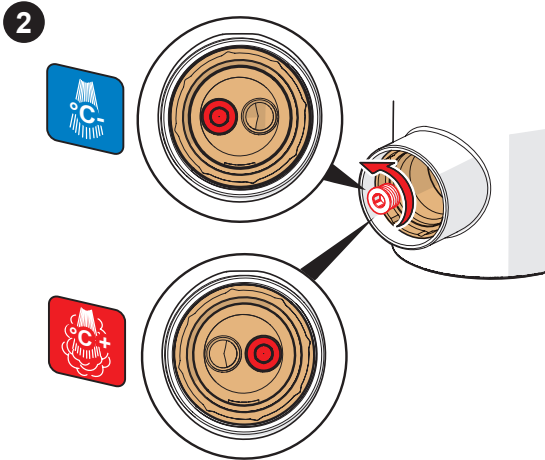
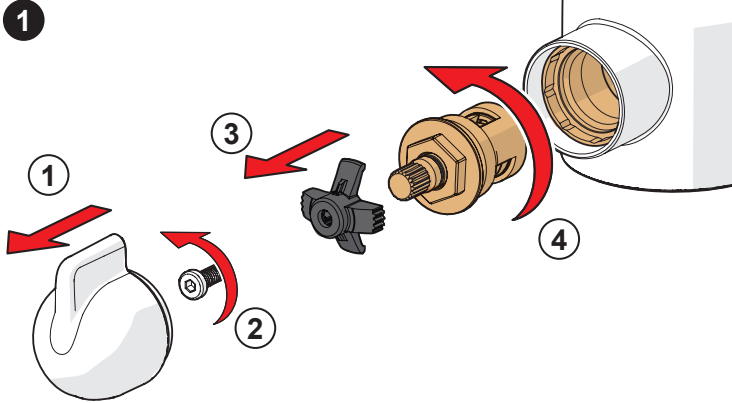
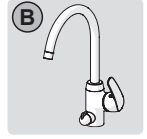
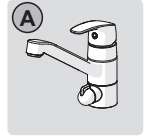
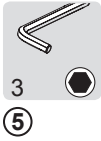
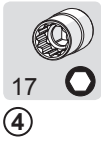
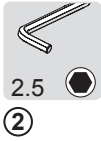
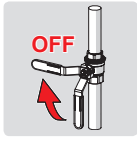
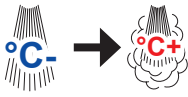


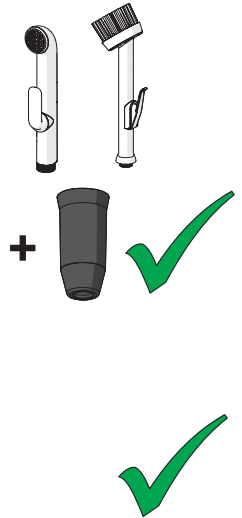
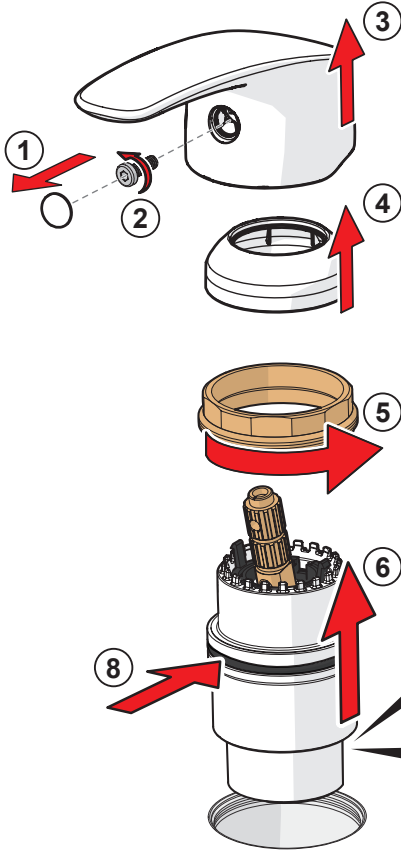
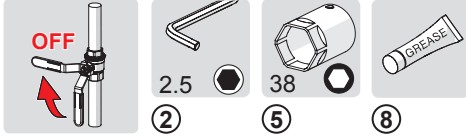


159670/10

159667/10









2.5

A1



G1

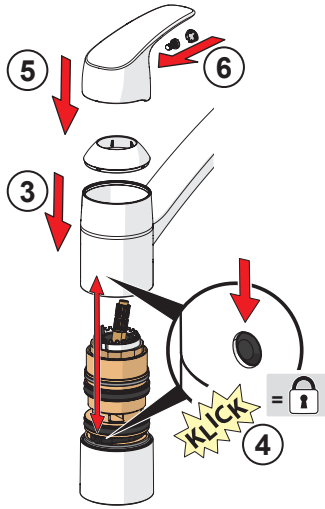
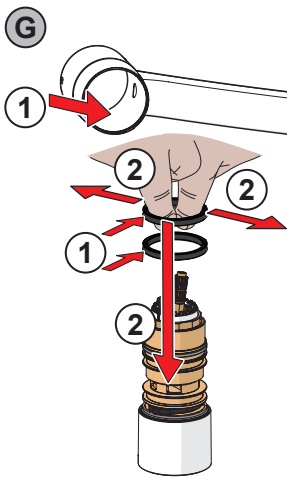
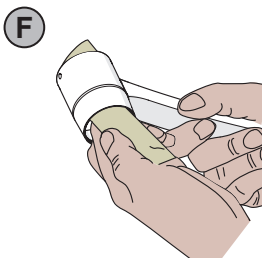
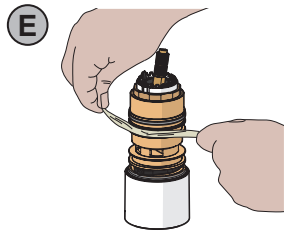
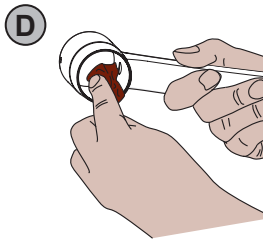
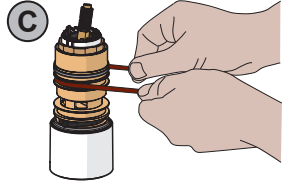
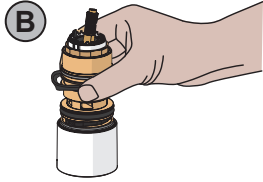
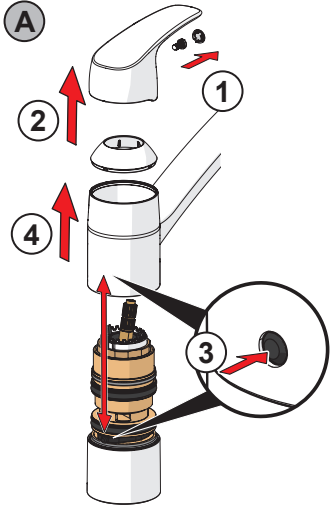


G2



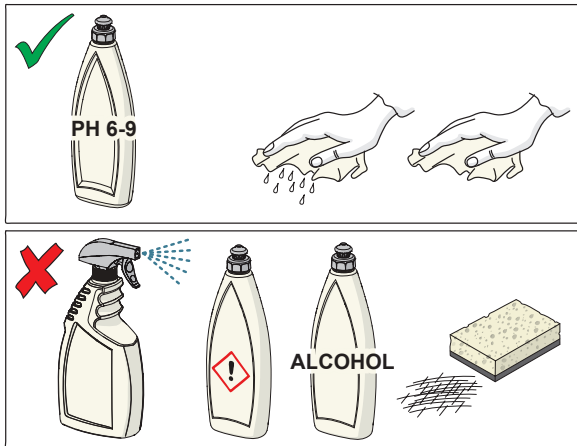
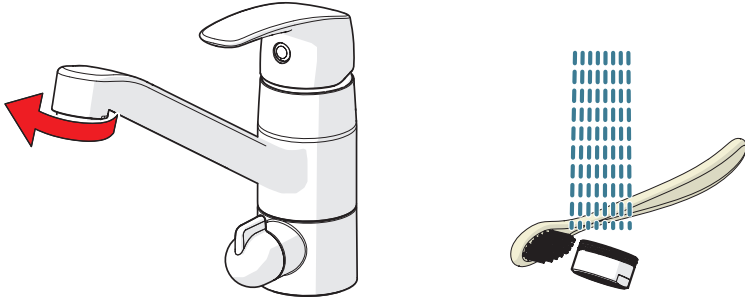
2.5

G6





22

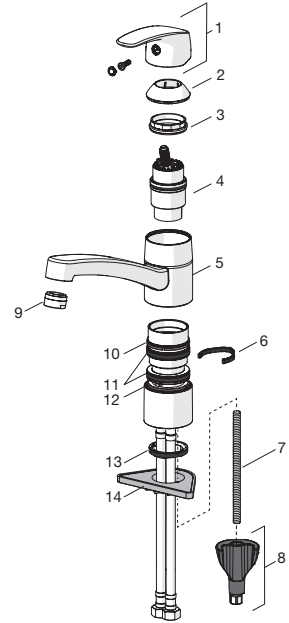


CLEANING.ORAS.COM



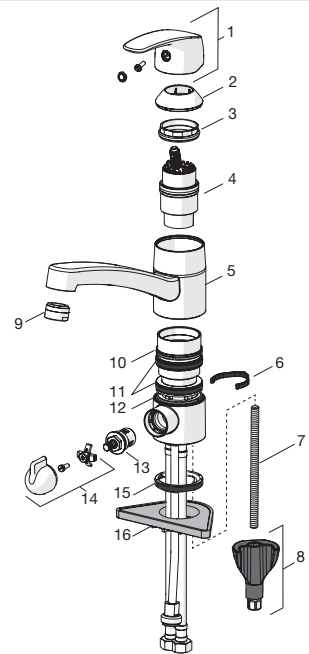
**1030S , 1030FS , 1030FS-104 ,
1030FS-105 , 1022S**

- 1 602502V
- 2 602589V
- 3 158726
- 4 158890
- 4 600979V green building
- 5 1005585V
- 6 1002207/10 40°-80°
- 6 1001406/10 120°
- 7 1000780V
- 8 602610V
- 9 232210
- 9 601434V 1030FS-104
- 9 601166V 1030FS-105
- 10 601097/10
- 11 158735
- 12 159423/10
- 13 1002371V
- 14 158825



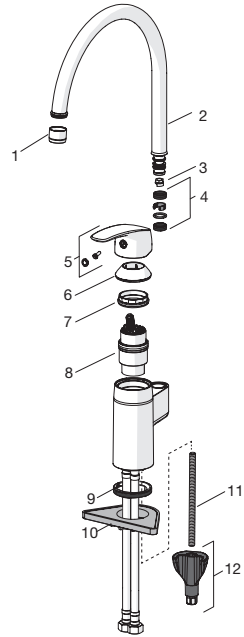
**1035S , 1035FS , 1035FS-104 ,
1035FS-105 , 1027S**

- 1 602502V
- 2 602589V
- 3 158726
- 4 158890
- 4 600979V green building
- 5 1005585V
- 6 1002207/10 40°-80°
- 6 1001406/10 120°
- 7 1000780V
- 8 602610V
- 9 232210
- 9 601434V 1035FS-104
- 9 601166V 1035FS-105
- 10 601097/10
- 11 158735
- 12 159423/10
- 13 602600V
- 14 1005697V
- 15 1002371V
- 16 158825



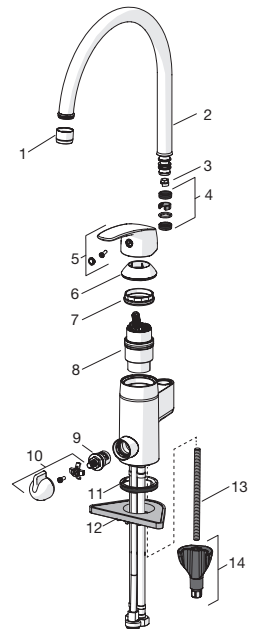
1038 , 1038F

- 1 232201
- 2 159695V
- 3 159667V 60°/0°
- 3 159667/10 60°/0°
- 3 159670/10 120°
- 4 159499
- 5 602502V
- 6 602589V
- 7 158726
- 8 158890
- 9 601971V
- 10 158825
- 11 1000780V
- 12 602610V



1039 , 1039F , 1057F

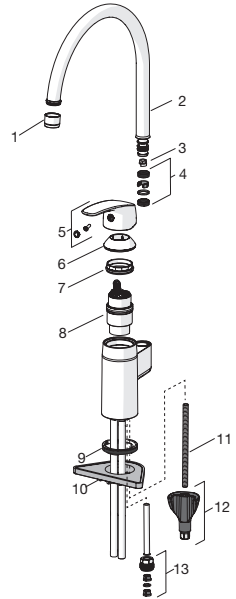
- 1 232201
- 2 159695V
- 3 159670/10 120°
- 3 159667/10 60°/0°
- 3 159667V 60°/0°
- 4 159499
- 5 602502V
- 6 602589V
- 7 158726
- 8 158890
- 9 602600V
- 10 1005697V
- 11 601971V
- 12 158825
- 13 1000780V
- 14 602610V





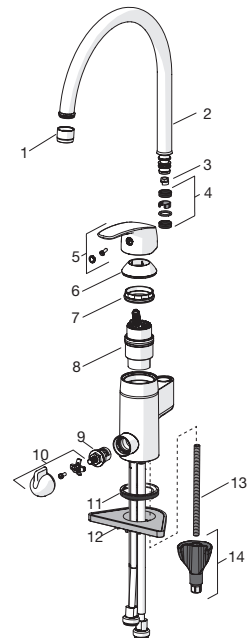
1033

- 1 232201
- 2 159695V
- 3 159667/10 60°/0°
- 3 159667V 60°/0°
- 3 159670/10 120°
- 4 159499
- 5 602502V
- 6 602589V
- 7 158726
- 8 158890
- 9 601971V
- 10 158825
- 11 1000780V
- 12 602610V
- 13 159684



1034

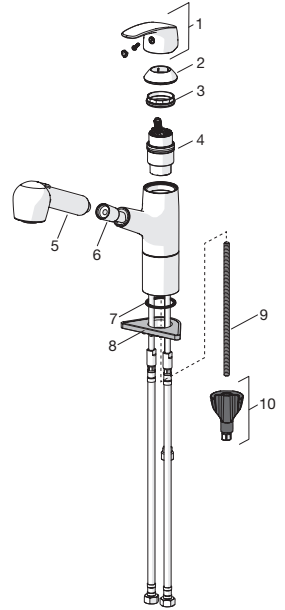
- 1 232201
- 2 159695V
- 3 159670/10 120°
- 3 159667/10 60°/0°
- 3 159667V 60°/0°
- 4 159499
- 5 602502V
- 6 602589V
- 7 158726
- 8 158890
- 9 602600V
- 10 1005697V
- 11 601971V
- 12 158825
- 13 1000780V
- 14 602610V





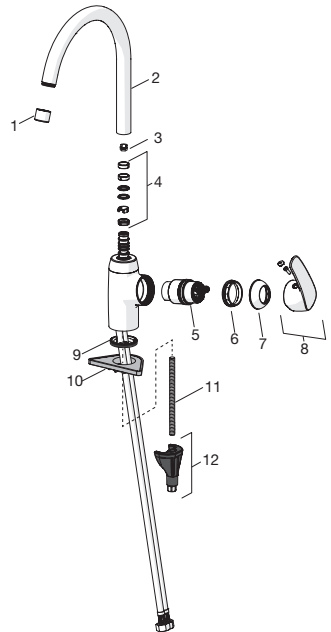
1032F

- 1 602502V
- 2 602589V
- 3 158726
- 4 158890
- 5 126010
- 6 600533V
- 7 159431/10
- 8 158825
- 9 1000780V
- 10 602610V



1028F

- 1 1001070V
- 2 1001058V
- 3 159667/10 60°/0°
- 3 159670/10 120°
- 4 198287V
- 5 158890
- 6 158726
- 7 602503V
- 8 602502V
- 9 601971V
- 10 158825
- 11 1000780V
- 12 602610V

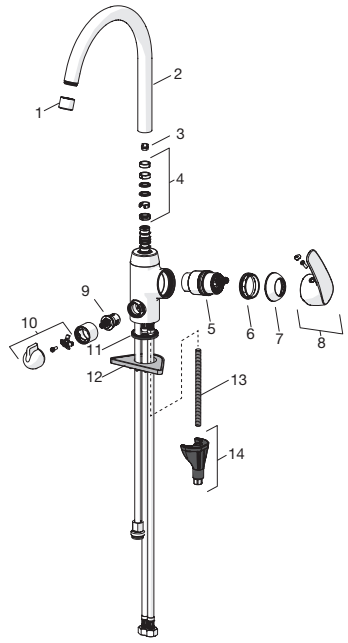




1029F

- 1 1001070V
- 2 1001058V
- 3 159667/10
- 3 159670/10
- 4 198287V
- 5 158890
- 6 158726
- 7 602503V
- 8 602502V
- 9 602600V
- 10 1005697V
- 11 601971V
- 12 158825
- 13 1000780V
- 14 602610V

60°/0°
120°



Oras Group is a powerful European provider of sanitary fittings: the market leader in the Nordics and a leading company in Continental Europe. The company's mission is to make the use of water easy and sustainable and its vision is to become the European leader of advanced sanitary fittings. Oras Group has two strong brands, Oras and Hansa.

The head office of the Group is located in Rauma, Finland, and the Group has three manufacturing sites: Kralovice (Czech Republic), Olesno (Poland) and Rauma (Finland). Oras Group employs approximately 1400 people in twenty countries. Oras Group is owned by Oras Invest, a family company and an industrial owner.

ORAS GROUP

Isometsäntie 2, P.O. Box 40

FI-26101 Rauma

Tel. +358 2 83 161

Fax +358 2 831 6300

info.finland@oras.com

www.oras.com

